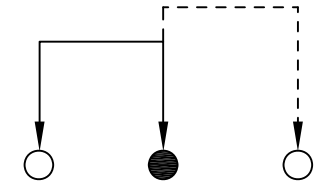
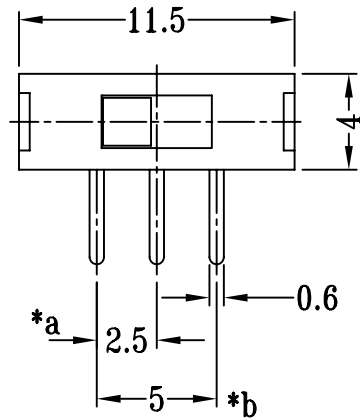
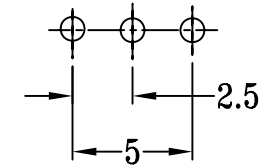
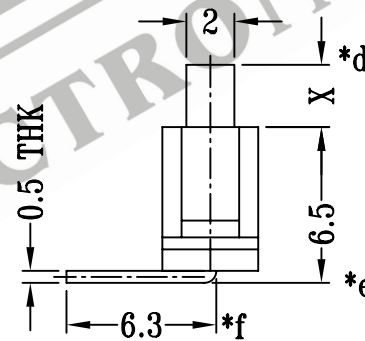
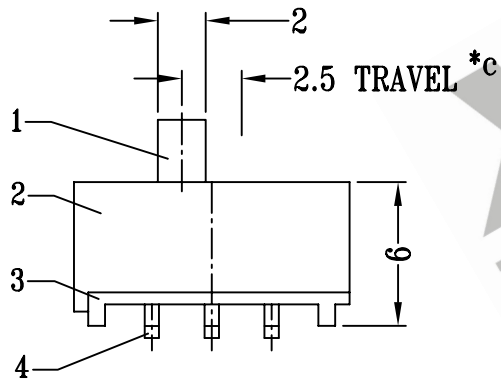


CAD FILE:



**SCHEMATIC(SHORTING)**



**P.C.BLAYOUT**

注:带"\*"表示关键尺寸(6个)

8					TOLERANCE UNLESS SPECIFIED	SHENZHEN XIEJIA ELECTRONICS CO.,LTD.				
7										
6					WITHIN : 1.5±0.1mm OVER: 1.5±0.2mm	ISSUE	DATE	DESCRIPTIONS		APPD
5	CONTACT (CLIP)	PBS	1	Ag CLAD						
4	TERMINAL	BRASS STRIP	3	Ag PLATED OVER Ni PLATED	TITLE: VERTICAL SLIDE SWITCH	UNIT : MM		DRWG NO.: XJ-DR-SS12E06-00		
3	CASE	POM	1	BLACK						
2	COVER	POM	1	BLACK	MODEL: SS-12E06	SCALE: 3:1		DWN	ZHOUYU	2002-3-8
1	KNOB	POM	1	BLACK				CHK'D	FANGYING	2002-3-8
NO.	PART NAME	MATERIAL	QTY	FINISHING	ALL MATERIALS MUST BE COMPLIANT TO ROHS			APPD	KANGXINAN	2002-3-8